

PS-LX35P

SERVICE MANUAL

AEP Model
UK Model
E Model



This set is the turntable system section in XO-550W or XO-750W.

SPECIFICATIONS

Turntable	
Platter	30 cm (12 in.), aluminum-alloy diecast
Motor	DC servo motor
Drive system	Belt drive
Speed	33 $\frac{1}{3}$ rpm, 45 rpm
Wow and flutter	0.15% (WRMS),
Signal-to-noise ratio	65 dB (DIN-B)
Automatic system	
	Return, reject, lead in.
Tonearm	
Type	Dynamically balanced
Pivot-to-stylus length	206 mm (7 $\frac{7}{8}$ in.)
Overall arm length	235 mm (9 $\frac{1}{8}$ in.)
Cartridge	
Type	Moving magnet type
Frequency response	20 Hz to 20 kHz
Stylus	Sony ND-155G (0.6 mil diamond)

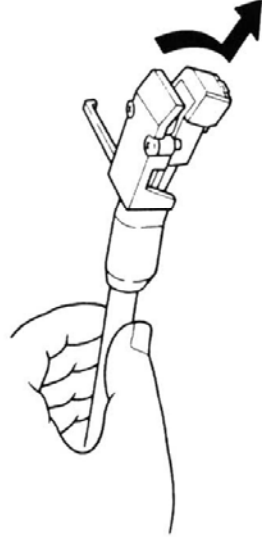
General	
Dimensions	Approx. 355 x 100 x 340 mm (w/h/d) (14 x 4 x 13 $\frac{1}{2}$ inches) incl. projecting parts and controls
Weight	Approx. 2.4 kg (5 lb 5 oz) net
Power requirements	Supplied from the HST-750W or HST-550W

Note for Cartridge

Be careful not to use any cartridge except for specified one (Part No.: 1-549-133-11 VL-55G) as balance weight of pick up arm assy is fixed.

REPLACING THE STYLUS

The stylus will lose its effectiveness and begin to damage records after about 400 hours of use. An ND-155G replacement stylus is available at your Sony dealer. Handle the stylus carefully as it is very delicate.



Be sure to turn off the **POWER** switch before replacing the stylus. Secure the tonearm to the arm rest, detach the stylus assembly by grasping it between the thumb and forefinger then insert the new stylus.



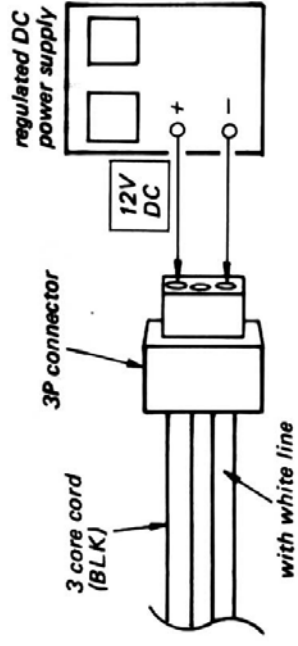
STEREO TURNTABLE SYSTEM SONY®

AUD

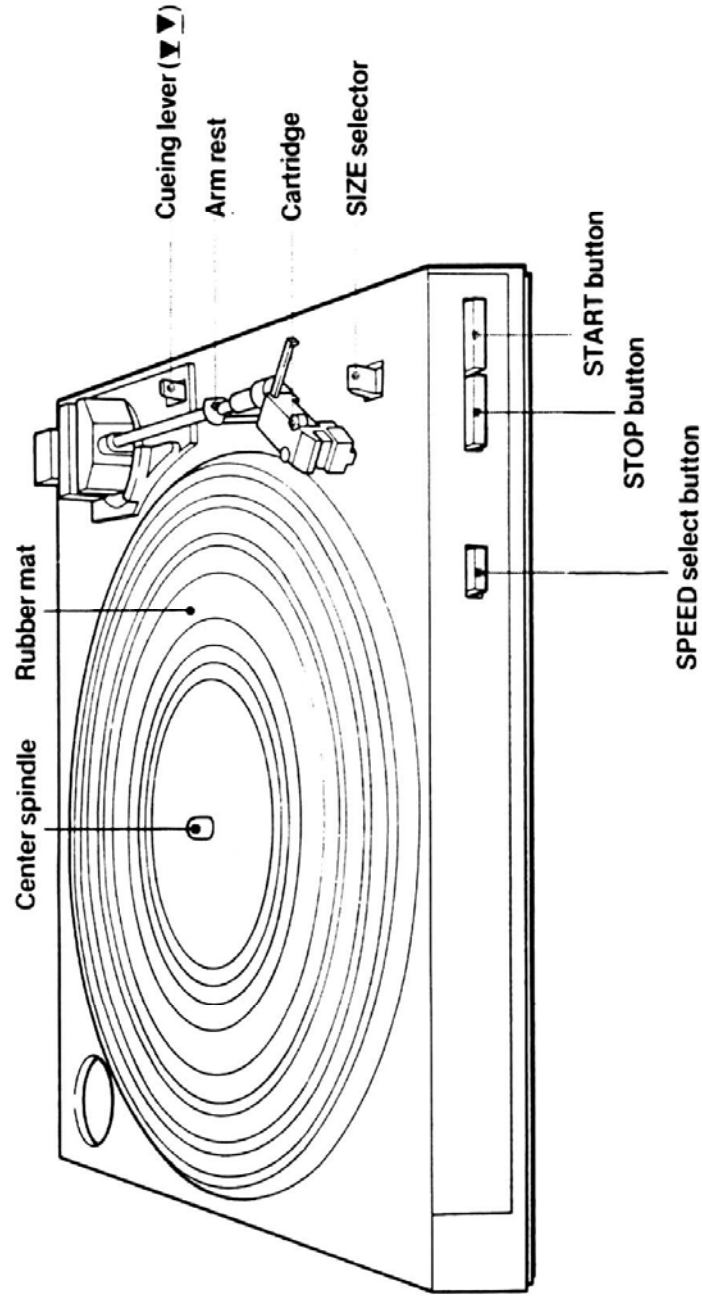
REPAIRING PRECAUTION

[To supply B+ voltage]

The power of this unit is fed from HST-550W or 750 W. Because of this, connect the regulated power supply as illustrated right when this unit alone operates.



LOCATION AND FUNCTION OF CONTROLS



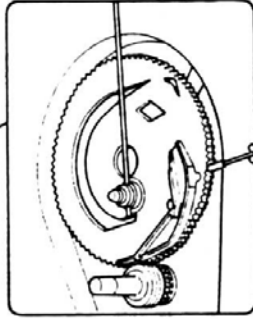
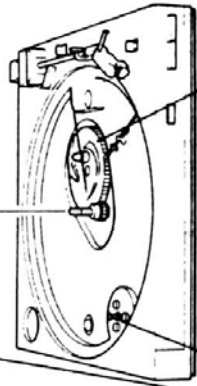
TURNTABLE ASSEMBLY



Rubber mat



Platter



Hook the belt on the motor pulley.

If the belt is removed from the platter, replace it with the glossy side outward.

Speed Adjustment

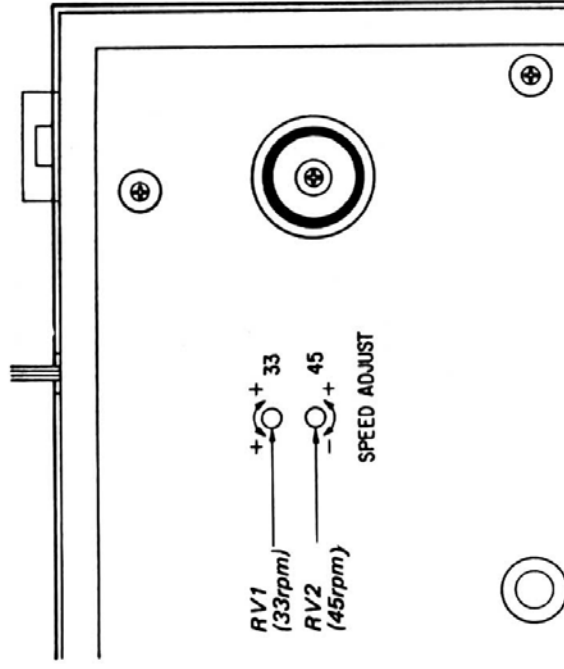
Note: Be sure to perform 45rpm adjustment before 33 rpm.

1. Place a stroboscope board on the turntable sheet.
2. Set the SPEED switch to 45.

Press the START button.

Adjust RV2 so that the striped pattern of stroboscope board is stationary.

3. Set the SPEED switch to 33.
Adjust RV1 in the same way.

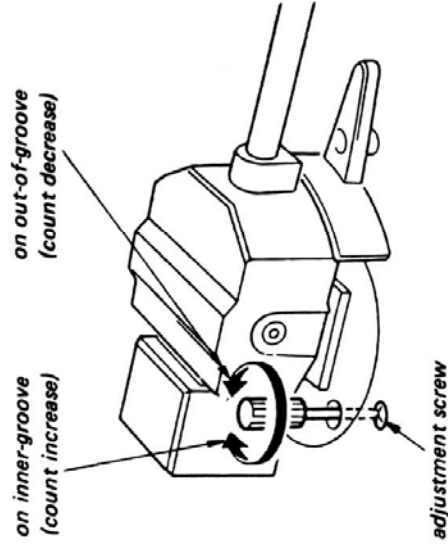


Stylus Drop-point Adjustment

1. Place a test record (YFSC-16) on the turntable sheet.
2. Set the SPEED switch to 33.
3. Press the START button.
4. By using a screwdriver, turn the adjustment screw so that the stylus tip drops on the record at the 7-17 counts position.
5. Move the arm to return detecting groove and confirm that the auto-return operation is started normally.

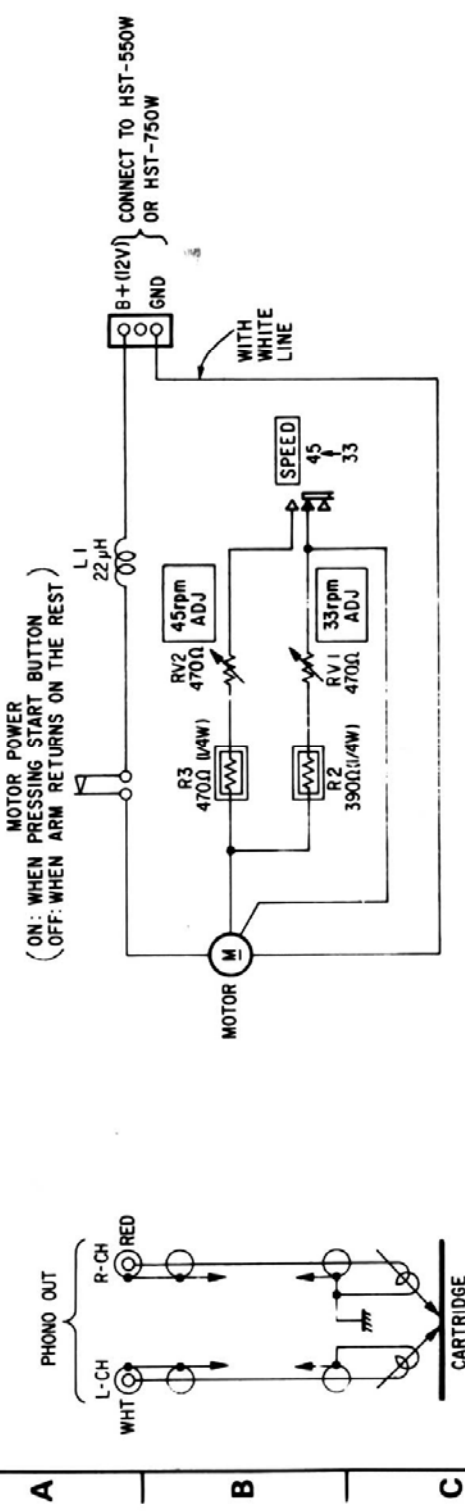
Note: The proper adjustment for a 30cm record is also correct for a 17cm record.

When turning adjustment screw, put the arm on the arm rest.

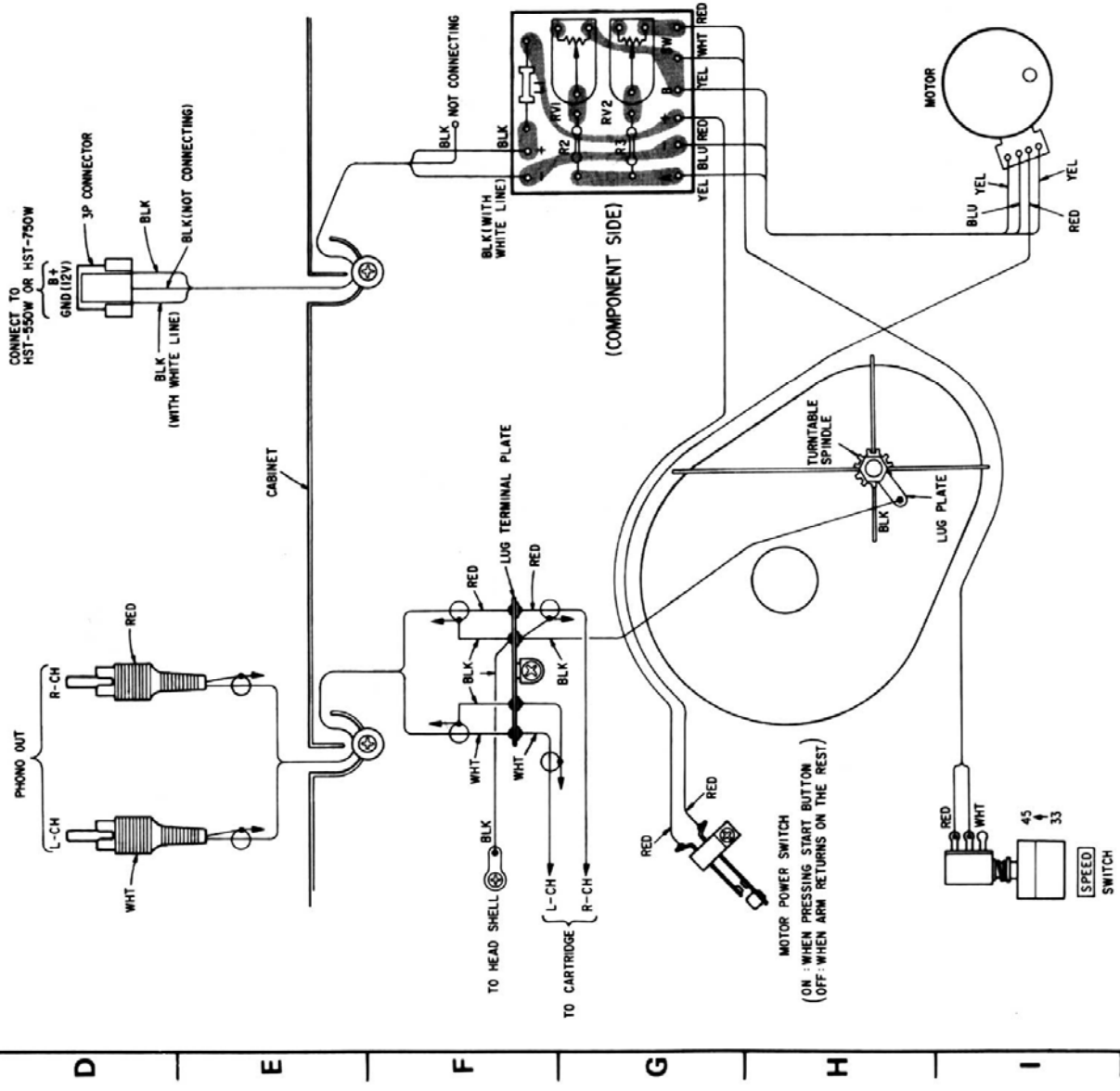


1 2 3 4 5 6 7

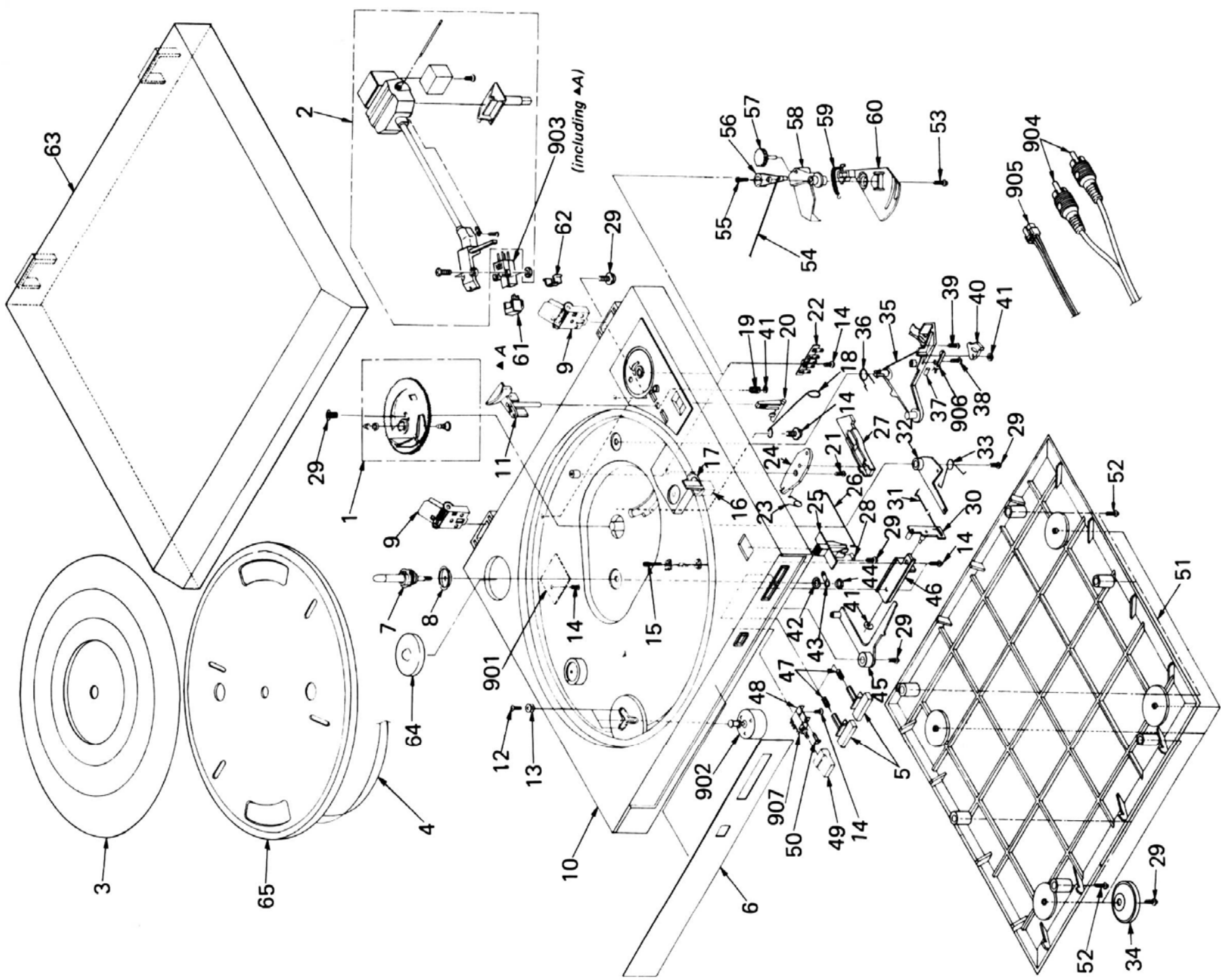
SCHEMATIC DIAGRAM



WIRING DIAGRAM



EXPLODED VIEW



PARTS LIST

NOTE:

- Items marked "★" are not stocked since they are seldom required for routine service. Some delay should be anticipated when ordering these items.
- If there are two or more same circuits in a set such as a stereophonic machine, only typical circuit parts may be indicated and capacitors and resistors in other same circuits may be omitted.

CAPACITORS:
MF:μF, PF:μμF.
RESISTORS
: All resistors are in ohms.
: F : nonflammable

COILS
: MMH : mH, UH : μH

SEMICONDUCTORS

In each case, U : μ, for example:
UA....: μA...., UP A....: μPA...., UPC....: μPC,
UPD....: μPD....

GENERAL SECTION

No.	Part No.	Description
1	X-4895-402-1	CAM GEAR ASSY
2	X-4895-403-1	PICK UP ARM ASSY
3	4-877-807-11	SHEET, TURNABLE
4	4-880-655-01	BELT
5	4-895-401-01	CONTROL BUTTON (START, STOP)
6	*4-895-402-01	FRONT OVERLAY
7	4-895-403-01	SPINDLE ASSY (W/T.T GEAR)
8	4-895-404-01	SPINDLE WASHER
9	4-895-410-01	HINGE ASSY
10	*4-895-411-01	TOP CABINET
11	*4-895-412-01	LIFT PLATFORM
12	4-895-413-01	SCREW
13	4-895-414-01	GROMMET (A)
14	4-895-415-01	7-BID 3008 ZN3A
15	4-895-416-01	REJECT WIRE ASSY
16	4-895-417-01	P.U. REST
17	4-895-418-01	P.U. TUBE HOOK
18	4-895-484-01	CONTROL ARM WIRE
19	4-895-420-01	VISCOUS SPRING
20	4-895-421-01	CUE LEVER
21	4-895-422-01	7-BID 3006 ZN3A 10D
22	*4-895-423-01	LUG TERMINAL
23	4-895-424-01	SPEED SHIFT CAM SPRING
24	4-895-425-01	SIZE SELECTOR HOLDER
25	4-895-426-01	SPEED KNOB
26	*4-895-427-01	SIZE SELECTOR WIRE
27	4-895-428-01	SIZE SELECTOR
28	4-895-429-01	SECURING RUBBER
29	4-895-430-01	7-BID 3008 ZN3A 12D
30	4-895-431-01	CONTROL LEVER FOR START
31	*4-895-432-01	CONTROL WIRE
32	4-895-433-01	REJ ST LEVER
33	4-895-434-01	SHIFT SPRING
34	4-895-435-01	FOOT
35	4-895-436-01	CONTROL ARM
36	4-895-437-01	CONTROL ARM SPRING
37	4-895-438-01	SECURING RUBBER
38	4-895-439-01	7-PAN 2006 ZN3A
39	4-895-440-01	7-BID 3014 ZN3A
40	4-895-441-01	CAM
41	4-895-442-01	PUSH NUT DIA.3
42	4-895-443-01	W GOAR 0003 ZN3A
43	4-895-444-01	EARTH TERMINAL (B)
44	4-895-445-01	NUT 50 ZN3A
45	4-895-446-01	CONTROL LEVER

GENERAL SECTION

No.	Part No.	Description
46	4-895-447-01	CONTROL HOLDER
47	4-895-448-01	CONTROL BUTTON SPRING
48	*4-895-449-01	SW. HOLDER
49	4-895-450-01	SPEED BUTTON
50	4-895-451-01	2-BID 2605 ZN3A
51	*4-895-452-01	BOTTOM CABINET
52	4-895-453-01	7-BID 3014 ZN3A
53	4-895-454-01	7-BID 3012 ZN3A 12D
54	*4-895-455-01	TRIP ROD
55	4-895-456-01	TRIP CLUTCH SPRING
56	4-895-457-01	TRIP CLUTCH
57	4-895-458-01	ADJUST CAM
58	4-895-459-01	RETURN LINK (A)
59	4-895-460-01	ADJUST SPRING
60	4-895-461-01	RETURN LINK (B)
61	1-549-132-11	STYLUS (ND-155G)
62	4-895-474-01	CARTRIDGE COVER
63	4-895-480-01	DUST COVER ASSY
64	4-895-481-01	ADAPTOR, 45
65	4-909-060-02	TURNABLE

ELECTRICAL PARTS

Ref.No.	Part No.	Description
901	*A-4619-290-A	PC BOARD ASSY, SPEED CONTROL
902	1-541-331-11	MOTOR
903	1-549-133-11	CARTRIDGE (VL-55G)
904	1-558-595-11	CORD, CONNECTION
905	1-558-596-11	CORD, CONNECTION (3 CORE)
906	1-570-666-11	SWITCH, LEAF (MOTOR POWER)
907	1-570-687-11	SWITCH, PUSH (1 KEY)(SPEED)
L1	1-408-121-00	MICRO INDUCTOR 22UH
R2	1-247-121-00	CARBON 390 5% 1/4W F
R3	1-247-123-00	CARBON 470 5% 1/4W F
RV1	1-226-846-00	RES, ADJ, CARBON 470
RV2	1-226-846-00	RES, ADJ, CARBON 470

ACCESSORY & PACKING MATERIAL

Part No.	Description
4-895-475-01	CARTON
4-895-476-01	SNOW BOX (R)
4-895-477-01	SNOW BOX (L)
4-895-478-01	INNER PLATE
4-895-479-01	POLY BAG (FOR SET)
4-895-483-01	SLEEVE, DUST COVER